

Palladian



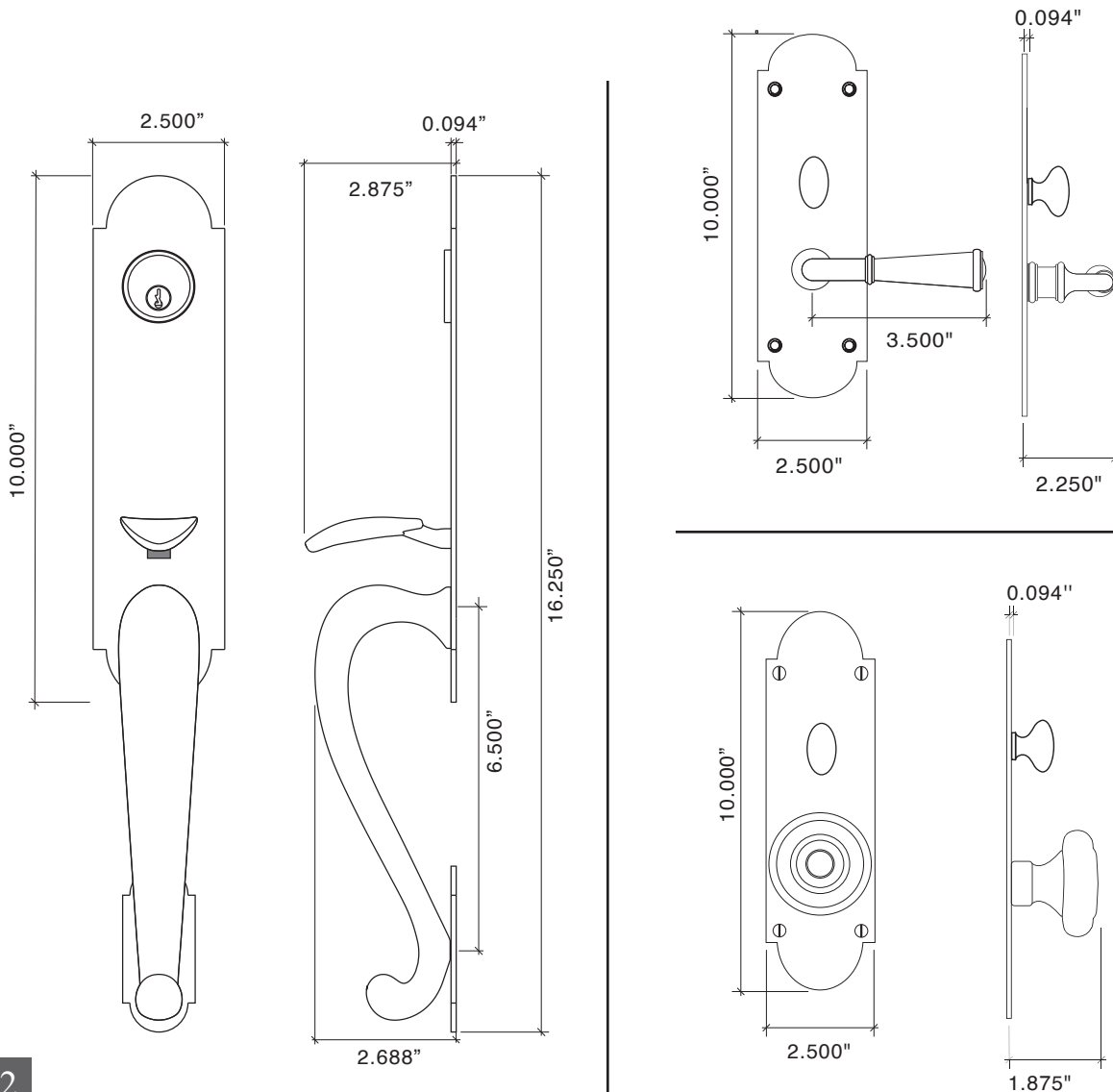
Palladian/Newtown Handleset with Knob

*Handlesets are Made-to-Order		Standard	Distressed	ETERNA
973004	Palladian/Newtown Handlesets Entry	1512.43	1663.45	1837.33
973008	Palladian/Newtown Handleset Full Dummy	893.48	1003.26	1171.41

Palladian/Newtown Handleset with Lever

*Handlesets are Made-to-Order		Standard	Distressed	ETERNA
971004	Palladian/Newtown Handlesets Entry	1511.47	1667.32	1836.69
971008	Palladian/Newtown Handleset Full Dummy	892.52	1007.12	1170.77

All Prices in US Dollars - Prices Subject to Change Without Notice
Please Check with Customer Service for Up to Date Pricing.



Newtown



Newtown Handleset
Exterior



Interior Lever



Interior Knob

Interior Knobs



8800-225
Large Mushroom
Knob, Small Rose



8802-225
Large Colonial
Knob, Small Rose



8802-225
Large Colonial
Knob, Large Rose



8801-250
Large Oval
Knob, Large Rose

Interior Levers



8820
Traditional, Small Rose



8824
Wave, Small Rose



8825
Rat Tail, Small Rose



8828
Leaf, Small Rose



8821
Small Turned Lever, Small Rose
Also Available in a Large Lever 8821C



8826
Curved, Small Rose

- Solid Forged Brass Handleset with Thumb Latch and Palladian Plate

- Classic Design

- Interior Trim Options: Knob/Lever Escutcheon Sets, Knob/Lever on Rose, or Full Interior Handset, all in Solid Forged Brass

- All Von Morris Knobs, Levers, Roses and Escutcheon Sets are Available for Interior Trim



Palladian/Newtown Multi-Point Trim - American Cylinder

*Multi-Point Trim is Made-to-Order

		Standard	Distressed	ETERNA
72001	Palladian American Cylinder MP Active	1097.38	1223.60	1360.13
72002	Palladian American Cylinder Full Dummy	773.43	906.35	1010.64
72003	Palladian American Cylinder Passage	808.21	941.13	1045.42
72004	Palladian American Cylinder Patio	884.98	1028.45	1169.63
72005	Palladian American Cylinder Fixed Ext./Active Int.	894.50	1027.42	1131.72

All Prices in US Dollars - Prices Subject to Change Without Notice
Please Check with Customer Service for Up to Date Pricing.



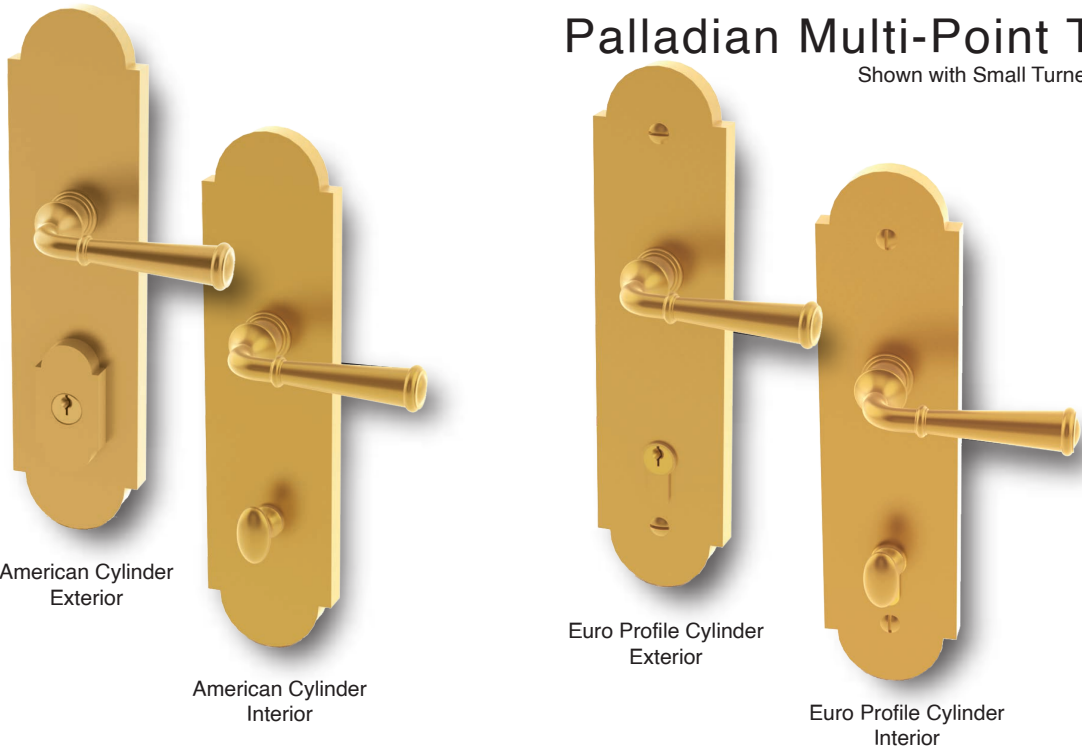
Palladian/Newtown Multi-Point Trim - Euro Profile Cylinder

*Multi-Point Trim is Made-to-Order

		Standard	Distressed	ETERNA
71001	Palladian European Profile Cylinder MP Active	1088.21	1236.23	1351.84
71002	Palladian European Profile Cylinder Full Dummy	773.43	906.35	1010.64
71003	Palladian European Profile Cylinder Passage	808.21	941.13	1045.42
71004	Palladian European Profile Cylinder Patio	1036.31	1186.36	1303.58
71005	Palladian European Profile Cylinder Fixed Ext./Active Int.	894.50	1027.42	1131.72

Palladian Multi-Point Trim

Shown with Small Turned Lever



American Cylinder Exterior

American Cylinder Interior

Euro Profile Cylinder Exterior

Euro Profile Cylinder Interior

Additional Lever Options



8820 Traditional, Small Rose

8824 Wave, Small Rose

8825 Rat Tail, Small Rose

8826 Curved, Small Rose

8828 Leaf, Small Rose

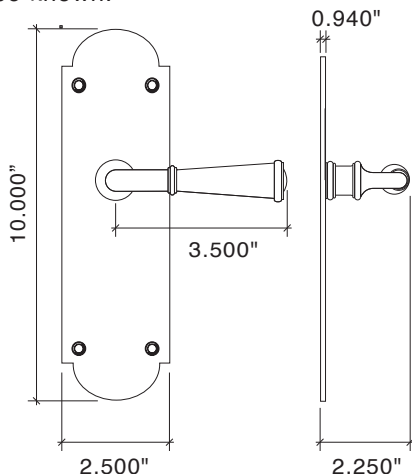
8821 Small Turned Lever, Small Rose
Also Available in a Large Lever 8821C

Von Morris Arch/Palladian Multi-Point lock trim is Custom Made to Order. Your trim will be crafted to the door specifications/details/measurements you provide.

In classic Von Morris style, paying exacting attention to detail, all Von Morris Escutcheon Plates may be modified to fit a multitude of Multi-Point locks in either Euro Profile Cylinder or American Cylinder.

The Von Morris American Cylinder Multi-Point trim is different from other manufacturers. Von Morris has redesigned every aspect of the Multi-Point Trim, including the American Cylinder Mounting Blocks. Instead of one generic block mounted to all styles, each suite gets its own unique suited block. For Euro Profile Cylinder trims, the turnpiece mounted to the Profile Cylinder is the same design as the trim.

Von Morris is the only mainline manufacturer to stay true to its suited line, offering the same attention to detail that is available in every Knob, Lever, Rose and Escutcheon Plate. This allows you to complete a full hardware schedule with the same style, detail, quality, and value for which the Von Morris product has come to be known.



Shown with Small Turned Lever

- Solid forged brass with Turned Lever and Arch Plate.
- Classic design.
- Adaptor for American cylinder block has the same detailing as rest of the Arch Plate.
- Turn pieces for both American cylinder and European Profile cylinder share the same detailing as rest of Arch suite.
- Palladian Multi-Point Trim is also available with Traditional, Wave, Rat Tail, Curved and Leaf Levers.
- Plate thickness will vary depending upon the application and door thickness.



All Prices in US Dollars - Prices Subject to Change Without Notice
Please Check with Customer Service for Up to Date Pricing.

Small Newtown Escutcheon Sets with Colonial Knob

Entry Mortise		Standard	Distressed	ETERNA
91102	Newtown Escutcheon Set w/Knob -Entry Mortise Set	881.64	956.98	1079.34
91108	Newtown Escutcheon Set w/Knob -Entry Mortise Dummy	280.14	316.85	378.67
IML Mortise Sets				
81101	Newtown Escutcheon Set w/Knob - IML Passage	491.37	542.25	629.83
81102	Newtown Escutcheon Set w/Knob - IML Privacy	577.67	629.83	722.57
81103	Newtown Escutcheon Set w/Knob - IML Bit Key	586.68	641.42	732.87
81104	Newtown Escutcheon Set w/Knob- IML Single	635.63	696.85	799.85
81105	Newtown Escutcheon Set w/Knob - IML Double	667.83	734.16	835.91
81106	Newtown Escutcheon Set w/Knob - IML Patio Set	564.79	616.95	709.69
Tubular Latch Sets				
811014	Newtown Escutcheon Set w/Knob - TL Passage, 2-3/4 BS	330.37	378.67	455.95
811018	Newtown Escutcheon Set w/Knob - TL Passage, 2-3/8 BS	330.37	378.67	455.95
811024	Newtown Escutcheon Set w/Knob - TL Privacy, 2-3/4 BS	366.44	414.74	488.15
811028	Newtown Escutcheon Set w/Knob - TL Privacy, 2-3/8 BS	366.44	414.74	488.15
811022	Newtown Escutcheon Set w/Knob - Privacy, (Passage TL with Mortise Bolt 2-3/8 BS)	433.41	502.32	614.38
Dummy Trim				
81107	Newtown Escutcheon Set w/Knob - Single Dummy	138.78	157.14	188.05
81108	Newtown Escutcheon Set w/Knob - Pair of Dummies	280.14	316.85	378.67



All IML Privacy and Tubular Mortise Bolt Privacy Sets come with ER Trim Standard on the Exterior. Exterior Bit Key Trim can be substituted for no additional charge.

Small Newtown Escutcheon Sets with Small Turned Lever

Entry Mortise		Standard	Distressed	ETERNA
91112	Newtown Escutcheon Set w/Lever -Entry Mortise Set	879.70	794.96	1078.06
91118	Newtown Escutcheon Set w/Lever -Entry Mortise Dummy	278.21	275.87	377.38
IML Mortise Sets				
81111	Newtown Escutcheon Set w/Lever - IML Passage	489.44	418.76	627.39
81112	Newtown Escutcheon Set w/Lever - IML Privacy	575.74	493.17	721.28
81113	Newtown Escutcheon Set w/Lever - IML Bit Key	584.75	494.72	731.58
81114	Newtown Escutcheon Set w/Lever - IML Single	633.70	546.56	798.56
81115	Newtown Escutcheon Set w/Lever - IML Double	665.90	573.56	834.62
81116	Newtown Escutcheon Set w/Lever - IML Patio Set	562.86	481.67	708.40
Tubular Latch Sets				
811114	Newtown Escutcheon Set w/Lever - TL Passage, 2-3/4 BS	328.44	309.15	454.66
811118	Newtown Escutcheon Set w/Lever - TL Passage, 2-3/8 BS	328.44	309.15	454.66
811124	Newtown Escutcheon Set w/Lever - TL Privacy, 2-3/4 BS	364.50	341.22	486.86
811128	Newtown Escutcheon Set w/Lever - TL Privacy, 2-3/8 BS	364.50	341.22	486.86
811122	Newtown Escutcheon Set w/Lever - Privacy, (Passage TL with Mortise Bolt 2-3/8 BS)	431.48	386.01	613.09
Dummy Trim				
81117	Newtown Escutcheon Set w/Lever - Single Dummy	137.82	129.02	187.40
81118	Newtown Escutcheon Set w/Lever - Pair of Dummies	278.21	260.35	377.38

Newtown Escutcheon Sets



Newtown Escutcheon with Large Colonial Knob Cut for Bit Key



Newtown Escutcheon with Small Turned Lever Cut for Bit Key

All Escutcheon Sets available in: Entry Mortise, Interior Mortise, Tubular Latch and Dummy Trim

Plates can be cut for Passage, Privacy, Bit Key, Single/Double Cylinder and IML Patio

Interior Knobs



8800-175
Small Mushroom Knob, Small Rose



8800-225
Large Mushroom Knob, Small Rose



8802-225
Large Colonial Knob, Small Rose



8802-225
Large Colonial Knob, Large Rose



8801-250
Large Oval Knob, Large Rose



8801-250
Large Oval Knob, Small Rose



8801-262
Small Oval Knob, Small Rose

Interior Levers



8820
Traditional, Small Rose



8824
Wave, Small Rose



8825
Rat Tail, Small Rose



8826
Curved, Small Rose

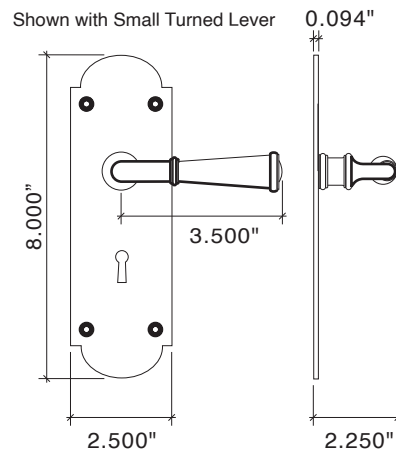
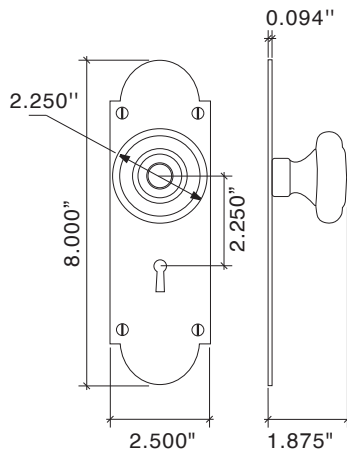


8828
Leaf, Small Rose



8821
Small Turned Lever, Small Rose
Also Available in a Large Lever 8821C

- Classic Palladian Design
- Forged Brass Escutcheon Inside and Outside
- Solid Forged Brass Lever
- Hand Polished
- Plates available with Cuts for all Von Morris Locks as well as Custom Cuts for other Manufacturers' Locks



All Prices in US Dollars - Prices Subject to Change Without Notice
Please Check with Customer Service for Up to Date Pricing.

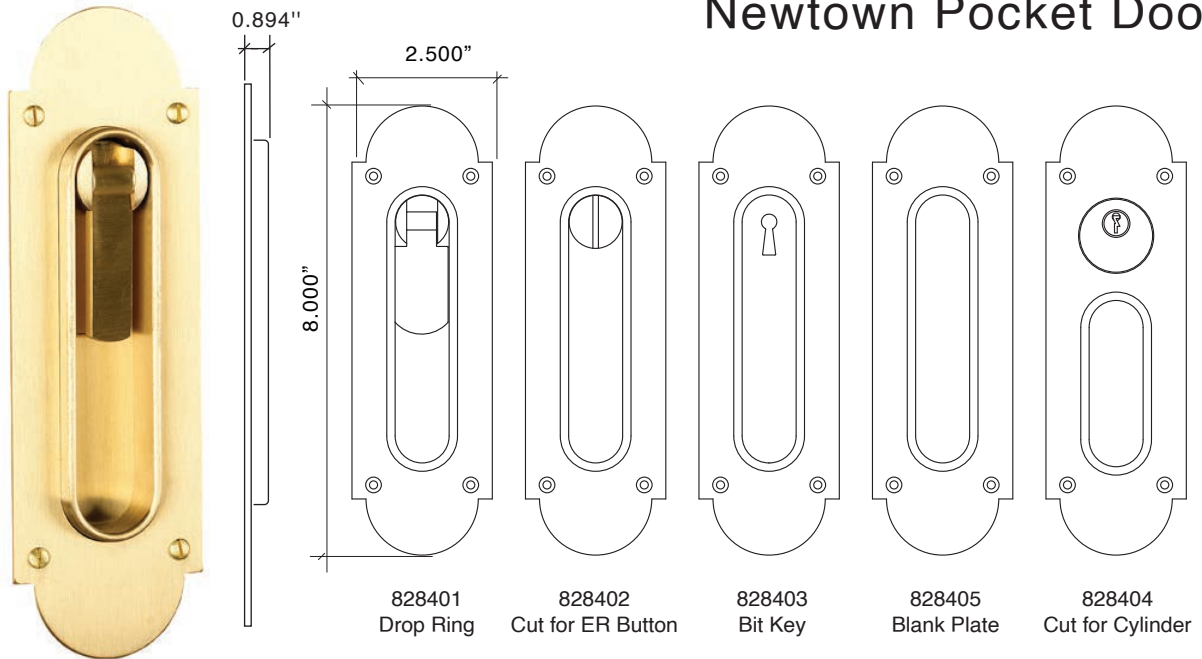


Newtown Pocket Door - Complete Sets

	Entry Mortise	Standard	Distressed	ETERNA
8284090	Newtown Pocket Door Passage Set	702.50	790.86	913.79
8284091	Newtown Pocket Door Privacy Set	671.59	757.37	881.59
8284092	Newtown Pocket Door Bit Key Set	662.89	749.96	878.37
8284093	Newtown Pocket Door Single Cylinder Set	705.71	794.45	913.49
8284094	Newtown Pocket Door Double Cylinder Set	708.92	798.04	913.19
8284095	Newtown Pocket Door Non-Latching Passage Set	608.48	692.97	881.59
8284096	Newtown Pocket Door Patio Set	671.59	757.37	881.59
8284097	Newtown Pocket Door Edge Pull Set	572.41	658.19	772.11

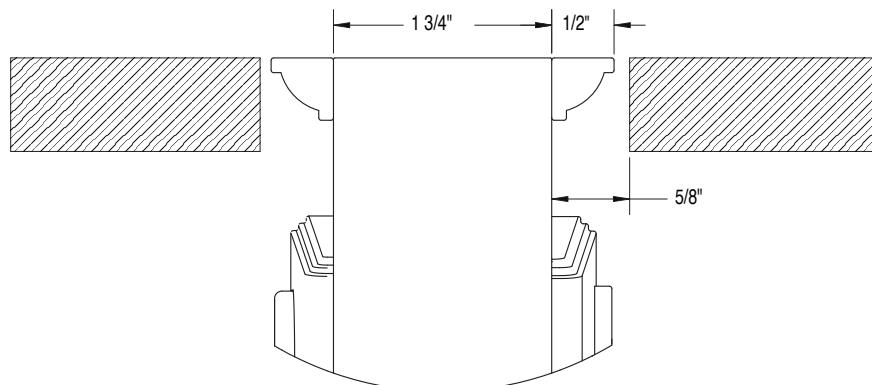
All IML Privacy and Tubular Mortise Bolt Privacy Sets come with ER Trim Standard on the Exterior. Exterior Bit Key Trim can be substituted for no additional charge.

Newtown Pocket Door



- Solid Forged Brass Plate
- Solid Forged Brass Finger Pull
- Hand Polished
- Plates available in Five Options:
 - Drop Ring
 - ER Button
 - Cut for Cylinder
 - Bit Key
 - Blank
- Suited Pocket Door Hardware is Made-to-Order, Non cancelable once ordered, and Non-Returnable
- Plates are Surface Mounted
- Minimum Door Thickness 1 3/4"
- Requires 1/2" to 5/8" of clearance at the pocket.

Because Von Morris's Suited Pocket door plates are surface mounted, a slight bit of additional door preparation is required. At the nose and rear edge of the door, minimum one half inch thick moldings must be applied to both faces of the door. The trim surrounding the pocket must be a minimum of 5/8" from the face of the door. Minimum door thickness is 1 3/4".





Buckingham Screen Door - Complete Sets

Stainless Steel Lock Sets		Standard	Distressed	ETERNA
8000/9001	Buckingham SS Screen Door Lock Set w/Traditional Lever	290.15	304.91	351.62
8007/9001	Buckingham SS Screen Door Lock Set w/Rat Tail Lever	290.15	304.91	351.62
8008/9001	Buckingham SS Screen Door Lock Set w/Curved Lever (Handed)	290.15	304.91	351.62
Full Dummy Sets				
8020FD	Buckingham Full Dummy Lock Set w/Traditional Lever	221.33	232.89	269.45
8027FD	Buckingham Full Dummy Lock Set w/Rat Tail Lever	221.33	232.89	269.45
8028FD	Buckingham Full Dummy Lock Set w/Curved Lever (Handed)	221.33	232.89	269.45
Escutcheons				
8000KN	Buckingham Outside Escutcheon	46.60	49.02	56.73
8000KT	Buckingham Inside Escutcheon	59.90	63.03	72.93

All Prices in US Dollars - Prices Subject to Change Without Notice
Please Check with Customer Service for Up to Date Pricing.



Screen Door Parts and Accessories

		Standard	Distressed	ETERNA
80015	Screen Door Latch Strike Plate	11.65	12.25	14.18
90002	Screen Door Latch Face Plate	9.99	10.50	12.16
80003	Screen Door Traditional Lever	46.60	49.02	56.73
80004	Screen Door Round Knob	48.27	50.77	58.75
80005	Screen Door Oval Knob	48.27	50.77	58.75
80007	Screen Door Rat Tail Lever	46.60	49.02	56.73
80008	Screen Door Curved Lever (Handed, Please Specify)	46.60	49.02	56.73
9000TDK	Thick Door Kit	60.78	63.68	70.91
90004	Extended Strike for Screen Door	13.44	14.01	16.20
9904	Screen Door Active Screw Pack	10.82	11.39	13.18
9905	Screen Door Dummy Screw Pack	7.50	7.88	9.12



Outside Trim for
8000/9001



8007/9001
Rat Tail Lever

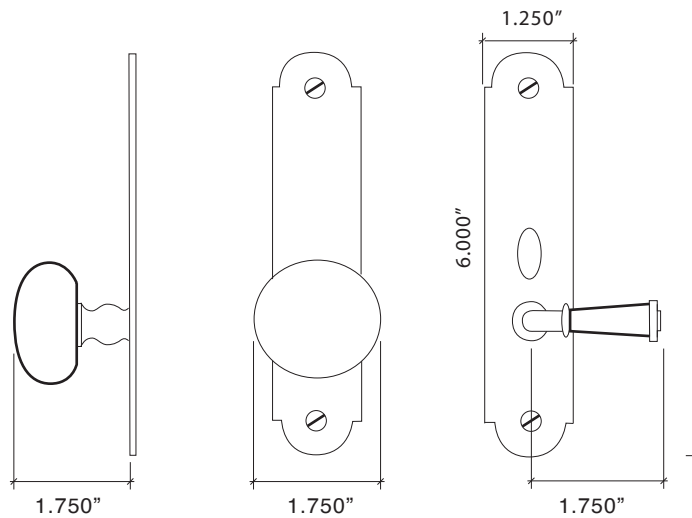


8008/9001
Curved Lever



8000/9001
Traditional Lever

- Handsome Heavy 1.75" Diameter Forged Brass Knob Outside
- Elegant Solid Brass Inside
- Heavy Wrought Brass Escutcheons Inside and Out



Screen Door Latches



Screen Door Latches

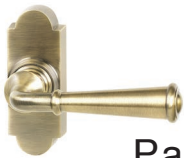
		Standard	Distressed	ETERNA
9001	Stainless Steel Screen Door Latch	83.98	85.09	88.81
			Mill	
9001-009	Stainless Steel Screen Door Latch (No Faceplate or Strike)		67.41	



Palladian/Newtown Bell Push

		Standard	Distressed	ETERNA
256-7000	Square Bevel Bell Push	225.40	257.60	287.22

All Prices in US Dollars - Prices Subject to Change Without Notice
Please Check with Customer Service for Up to Date Pricing.

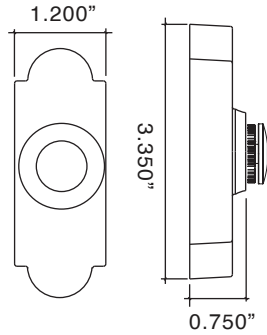


Palladian/Newtown Tilt-Turn Trim

		Standard	Distressed	ETERNA
700021	Palladian/Newtown Tilt-Turn with Small Turned Lever	250.07	269.19	297.53
700021C	Palladian/Newtown Tilt-Turn with Large Turned Lever	271.32	304.61	325.86

All Prices in US Dollars - Prices Subject to Change Without Notice
Please Check with Customer Service for Up to Date Pricing.

Palladian/Newtown Oblong Bell Push

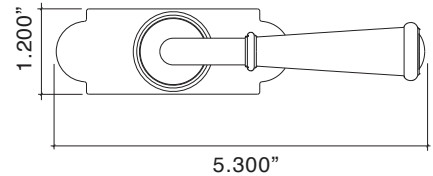
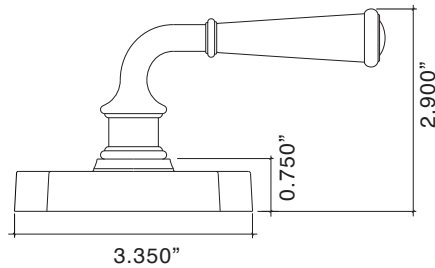


- Solid Forged Brass
- Oblong Palladian Design Trim
- Fully Concealed Mounting
- Super Bright White LED Illuminated Push Button

Palladian/Newtown Tilt-Turn Trim



- Solid Forged Brass Turned Lever
- Fully Concealed Mounting Palladian Cover



Additional Lever Options



8820
Traditional, Small Rose



8824
Wave, Small Rose



8825
Rat Tail, Small Rose



8826
Curved, Small Rose



8828
Leaf, Small Rose



8821
Small Turned Lever, Small Rose
Also Available in a Large Lever 8821C



Small Newtown Escutcheon Components

		Standard	Distressed	ETERNA
84017	Newtown Entry Cut for Cylinder	65.69	77.28	92.74
84018	Newtown Entry Cut for Turn w/Turn	91.45	106.90	133.95
84019	Newtown Entry Cut for Knob	65.69	77.28	92.74
84015	Newtown Blank Push Plate	65.69	77.28	92.74
84000	Newtown Cut for Knob	65.69	77.28	92.74
84010	Newtown Cut for Turn (Oval TP Standard, Bit Key Head can be Specified)	91.45	106.90	133.95
84011	Newtown Cut for ER	65.69	77.28	92.74
84012	Newtown Cut for Bit Key	65.69	77.28	92.74
84013	Newtown Cut for Cylinder	65.69	77.28	92.74
84016L	Newtown Cut for Priacy Pin, Left	65.69	77.28	92.74
84016R	Newtown Cut for Priacy Pin, Right	65.69	77.28	92.74

All IML Privacy and Tubular Mortise Bolt Privacy Sets come with ER Trim Standard on the Exterior. Exterior Bit Key Trim can be substituted for no additional charge.

All Prices in US Dollars - Prices Subject to Change Without Notice
Please Check with Customer Service for Up to Date Pricing.